

1. Run cable through required entry point into enclosure, ensuring open grommet protects cable jacket from steel edge of enclosure.
2. Strip jacket back to tie down point and secure as per Diagram A.
3. Fit cable management features as shown on Diagram A.
4. Loom bare fibre in bottom of enclosure ensuring there are no tight bends/kinks etc. Aim to keep ~1m of each fibre core managed in enclosure.
5. The fibre should enter the adapter from the lower rear edge (as indicated). This allows the fibre the greatest bend radius.
6. Cleave fibre to length and terminate as normal.
7. For LC version with pigtails installed, use same procedure, but secure fusion splices into clip on rear vertical face of enclosure.
8. Allow additional 35mm height to provide clearance for connected cable assemblies.

MOLEX PREMISE NETWORKS

Molex Premise Networks
 Corporate Headquarters
 Tel: 1 866 733 6659
 www.molexpn.com

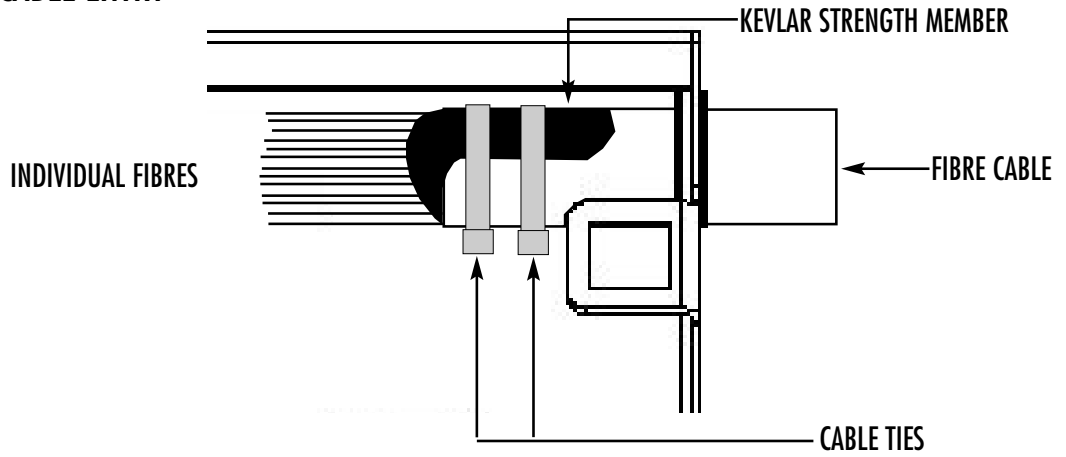
European
 Headquarters
 Tel: 44 (0) 1489 572111
 www.molexpn.co.uk

Pac Rim
 Headquarters
 Tel: 61 3 9971 7111
 www.molexpn.com.au

Molex
 Incorporated
 Tel: 630 969 4550
 www.molex.com

©2001, Molex Premise Networks Printed in the UK Form# 315-170 Issue 1

Diagram A. - CABLE ENTRY



Fibre Looming Directions

