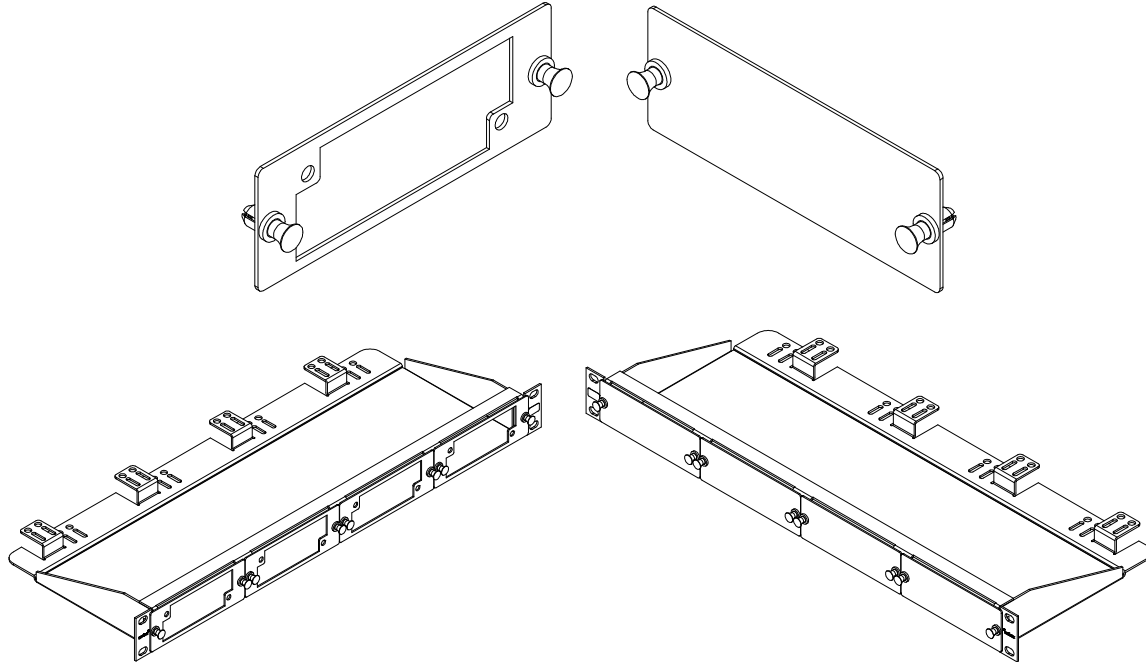
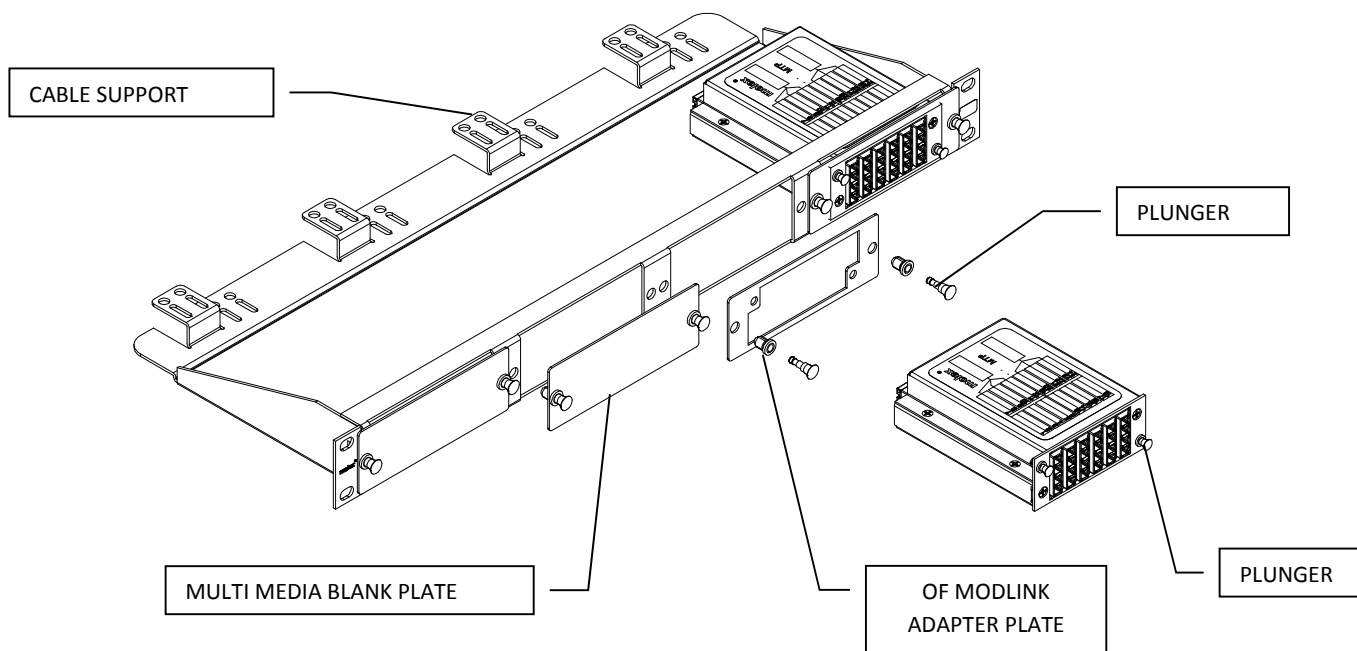


**Multi Media ModLink Plug & Play Copper
Solution Installation Instructions**

This document provides Installation Instructions of Multimedia Modlink cassettes, Fiber and copper solution.

This is CMP-00011 and CMP-00012 Copper Modlink panel unloaded to accommodate Fiber and copper Modlink cassettes.

Multi Media ModLink Plug & Play Copper Solution Installation Instructions



INSTALLATION OF CASSETTES TO PATCH PANELS

- a. To install Fiber optic modlink adapter plate to the Patch panel using the plunger.
 - Hold and Place the Adapter plate into the desired opening in the panel.
 - Pull on plungers to ensure fasteners are in open position.
- b. To install the Cassettes into the panel:
 - Slide cassette into desired Adapter plate cassette opening.
 - Pull on plungers to ensure fasteners are in open position.
- c. To secure Adapter plate/cassette to panel:
 - Push on plungers once cassette is flush with front surface of panel.
- d. To remove Adapter plate/cassette from panel:
 - Pull on plungers and slide cassette out from panel.
- e. Fix the Multimedia blank plate using the Plunger where required.

NOTE:

Modlink Fiber cassettes, MLCXXXXXXX, can be used to install in the patch panel.

To install the Modlink Copper Cassette in the patch panel refer the AS-18700-042 and PS-18317-001.