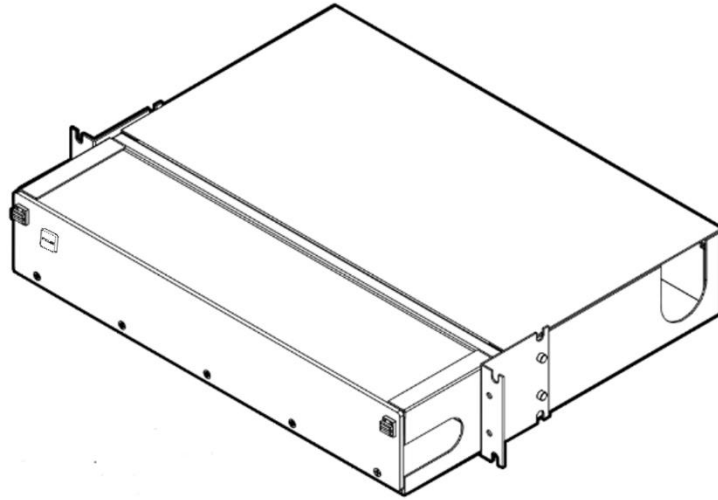


STANDARD GRADE RACK MOUNT FIBER ENCLOSURE



(SHOWN FOR REFERENCE ONLY)

1.0 SCOPE:

This document provides installation instruction of Standard grade rack mount fiber enclosure

2.0 PRODUCT DESCRIPTION:

2U Standard grade rack mount fiber enclosure

3.0 PROCEDURES:

ASSEMBLY INSTRUCTIONS

Front Access

Standard Grade Fiber Enclosures can be accessed from the front by opening the hinged Plexiglas front door by undoing two door latches. Further access is achieved by sliding the top Plexiglas inspection window out. Before this can happen, the front door has to be in the open position.

Rear cable entry and retention (Fig. 1)

Input cables can enter the left or right rear sides of the fiber enclosure. Select which input direction is most suitable to the application, remove the appropriate hole plug and introduce the cable to the enclosure. Alternatively, a knife can be used to cut a cross pattern in the plug and the plug can be threaded on to input the fiber cable. Both the left and right entry points have tie-wrap mounting bars that can also be used to secure the input cable.

It is often preferred to strip away the input cable jacket back before securing it to the fiber drawer enclosure

ENGINEERING RECORD NO: 722326	SAP NO: 187000035	Doc No: AS-18700-037	Doc part: AS	REV- B
http://www.molexces.com				

Cable storage and layout (Fig. 1)

Each fiber drawer is supplied with a pair of cable management hubs. The hubs facilitate the storage of fiber.

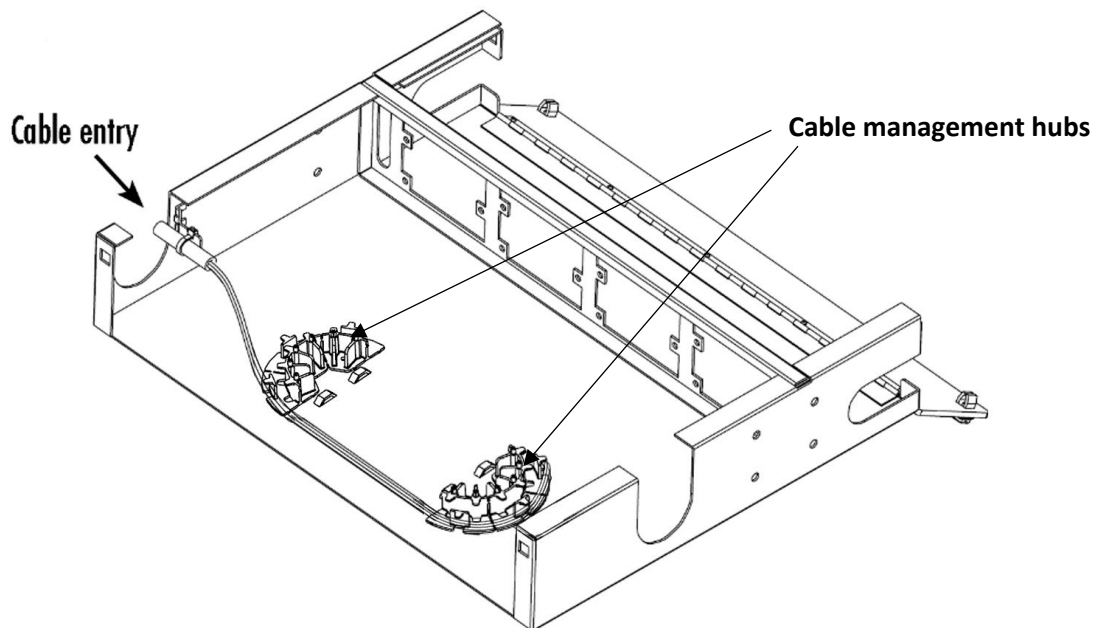


Fig-1

(Shown for reference only)

Removal of the rear of the drawer unit

Access can be gained to the rear of the drawer unit by removing the rear door/cover of the enclosure. Remove the rear door/cover by turning the two quick release door/cover fasteners a quarter turn and lifting the door/cover off once the fasteners have been released.

To replace the door/cover, present the door to the enclosure from a top-down direction so as the bottom lip of the door/cover catches the enclosure first, push together the quick release fasteners. Finish the process by securing the quick release fasteners by giving each one a quarter turn

Adjustable mounting angles and rack mounting (Fig. 2)

Two adjustable mounting angles and an international rack mounting kit are supplied with the fiber enclosure. Attach the mounting angles to each side of the fiber enclosure with the "ears" facing forward.

Once the mounting angles have been securely fastened to the enclosure present the enclosure to the 19-inch rack and using the appropriate fixtures from the international hardware kit (metric or imperial threads) secure the enclosure to the rack.

Caution:

If the fiber drawer is heavy or difficult to hold in place in the rack DO NOT overextend yourself trying to secure it to the rack. Ask for assistance to mount it to the equipment rack.

Port labeling (Fig. 2)

Each fiber drawer is supplied with an 8 x 11.5-inch port designation card. Port designation can be either handwritten or printed with any plain paper office printer. For port labeling printing, refer to the printing instructions supplied on the port designation card.

Using the supplied adhesive clips attach the port designation card to the back side of the front door with the clips at the top of the door (closed) and the card hanging down and front facing (so as it can be viewed even when the Plexiglas door is closed).

Earth bonding

There are no earth grounding points on these chassis.

Installing Fiber Pak/Adapter Plates (Fig. 2)

Plate utilizes corner retention pins which when pulled upon open two corner fasteners. Position the Fiber Pak/Adapter Plate to the appropriate location within the enclosure and push the two corner fasteners gently back in until they will go no further. The Fiber Pak/Adapter Plate is now positively attached to the drawer unit.

–2U accommodates 3 x 6 Fiber Pak/Adapter Plates

–2U accommodates 6 x 6 Fiber Pak/Adapter Plates

–2U accommodates 8 x 6 Fiber Pak/Adapter Plates

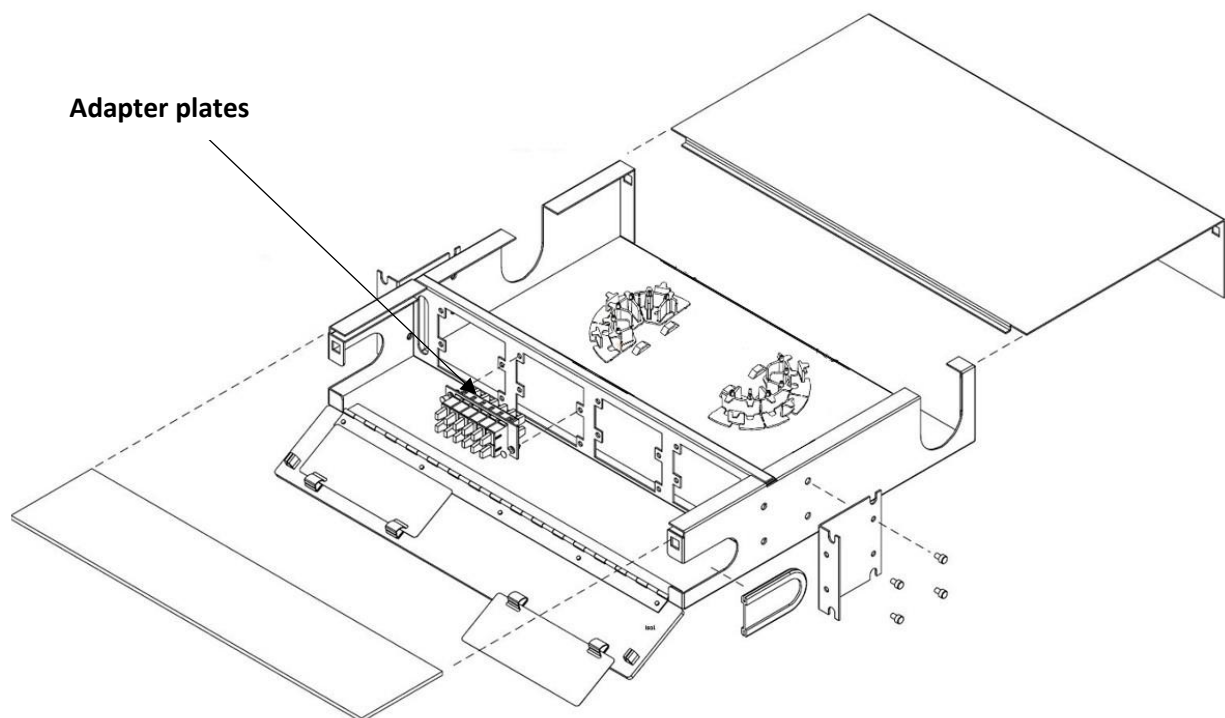


Fig-2
(Shown for reference only)