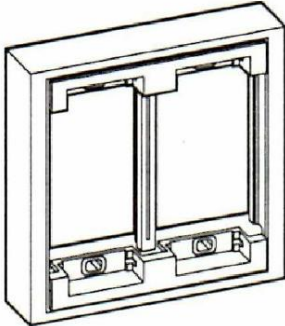
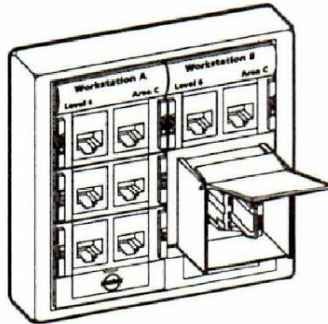


USO II Double Gang Bezels



USO II Double Gang Bezel

Dimensions:
4.5"W x 4.5"H x 0.6"D
(114mm x 114mm x 15mm)



**USO II Double Gang bezel
(Shown loaded)**

Order No.	Description.
WUS-00002-0*	USO II Double Gang Bezel - alpha icons
WUS-00004-0*	USO II Double Gang Bezel - telecom icons

Included Items

- Bezel
- Screw Covers
- Two # Mounting Screws
- Snapz™ Icon Tree
- Clear Label Holder
- Paper Label



To reduce the risk of electrical shock, always disconnect all telephone lines from the wall outlets before servicing or disassembling this equipment. Installation is to be performed by qualified service personnel.

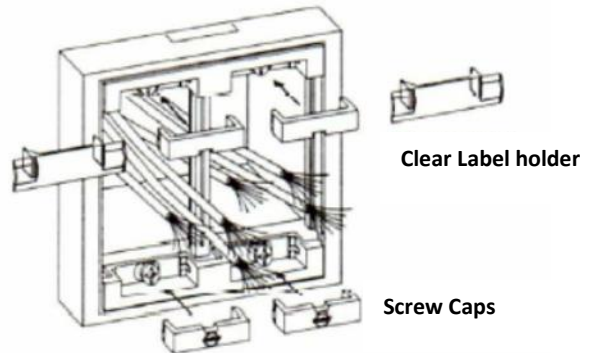
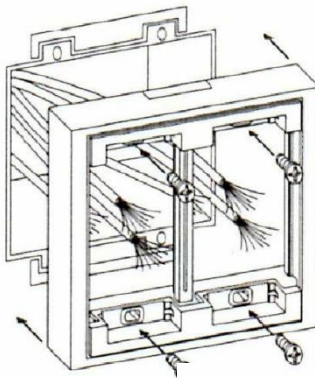
STEP 2

Snap the four screw covers (or clear label holders) into place as indicated.

STEP 1

Attach the bezel to the wall box with four M6 screws provided.

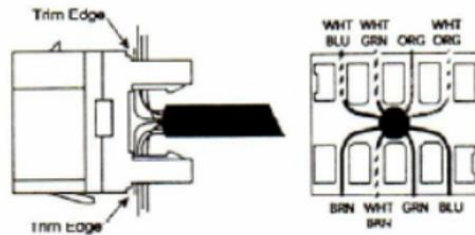
Module punch down can occur before or after mounting the bezel to the wall box. Reference the Color Code Specifications on page two.



ENGINEERING RECORD NO : 770653	SAP NO : 187000320	Doc No: 187000320	Doc part: AS	REV- A
http://www.molex.com				

STEP 3

Route cable at a 90-degree angle to the back of the jack between the two sets of lowers in the center of the jack. This maintains pair twist and reduces the risk of violating the bend radius specification.



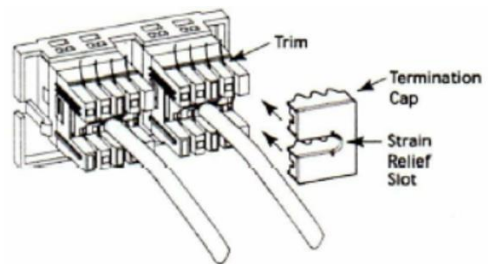
STEP 4

Lace all wire into their corresponding colors on the jack, according to the Color Code Specifications working from the center towers (orange and green) to the outside towers. Pull the conductors into the contact, by hand.

STEP 5

Terminate using the Data Gate Termination Cap. Press the cup onto the connectors, seat the cable in the strain relief slot in the termination cap, and trim excess wires using wire cutters.

Alternately, you may terminate the wires using an IDC punch down tool.



STEP 6

Snap modules into the USO II bezel (jack latch facing down).

INSTALLER'S NOTE:

Please make sure the USO II Modules are securely snapped into the bezel.

For BNC and Video Modules:
These fitting are for tele/data communication circuits with voltages <30V Rms (42.4V P-P) and 100μ amps maximum current.

STEP 7

Detach appropriate labels from the Snapz™ icon Tree and snap into modules where required for port identification.



Alpha Icons



Telecom icons

