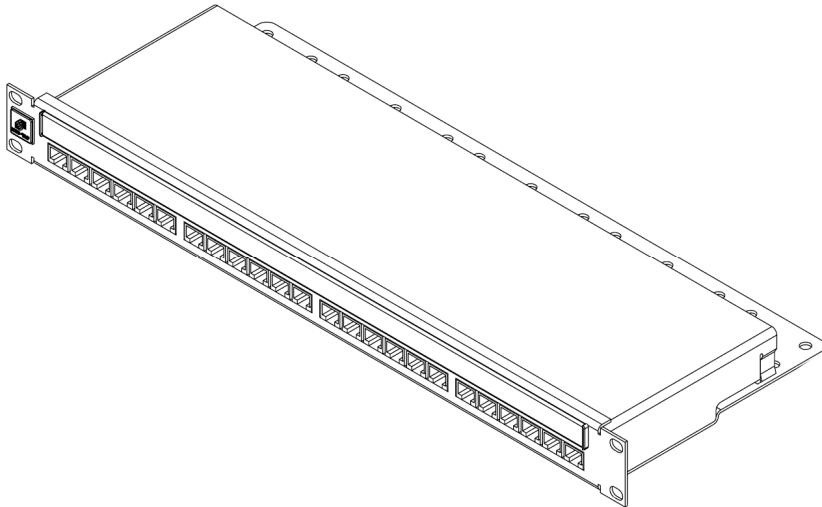


24 PORT C5E PATCH PANEL



1.0 SCOPE

This document provides Installation instruction of 24 Port C5E Patch Panels

2.0 PRODUCT DESCRIPTION

24 PORT C5E PATCH PANELS.

3.0 REFERENCE DOCUMENTS

4.0 PROCEDURE

4.1 GENERAL REQUIREMENTS

4.2 ASSEMBLY INSTRUCTIONS

4.3 REMOVAL INSTRUCTIONS

Tools required.

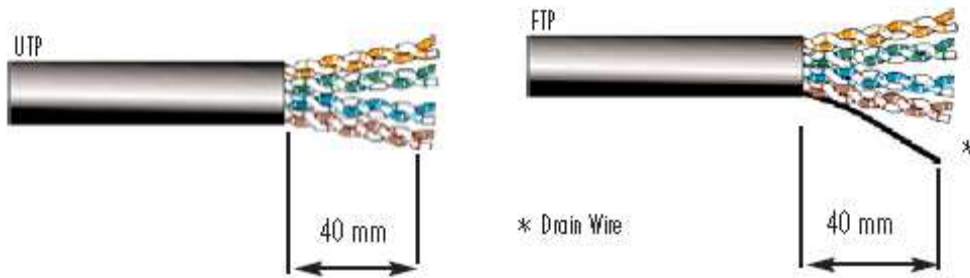
110 TERMINATION TOOL SET ON LOW IMPACT.



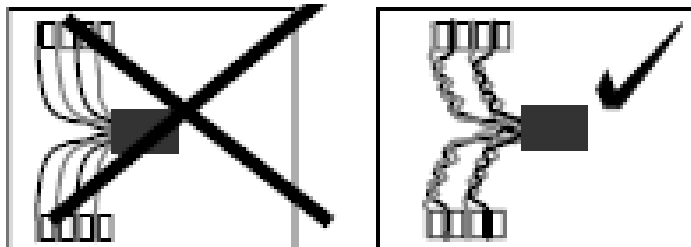
MPN NO.	SAP NO.
315-145	187000387

REVISION: A1	ECR/ECN INFORMATION: EC No: MTS2013-0071 DATE: 2013 / 07 / 16	TITLE: INST SHEET 24P C5E PATCH PANELS	SHEET No. 1 of 3
DOCUMENT NUMBER: AS-18700-076	CREATED / REVISED BY: Snagaravenka	CHECKED BY: CG, Raghavan	APPROVED BY: Ojdana, Krzysztof

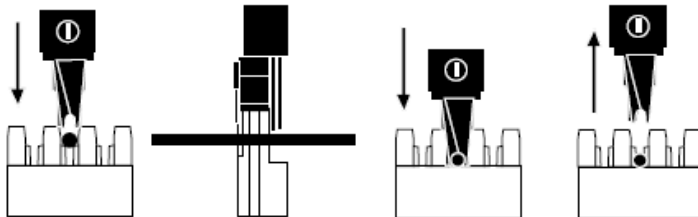
1.



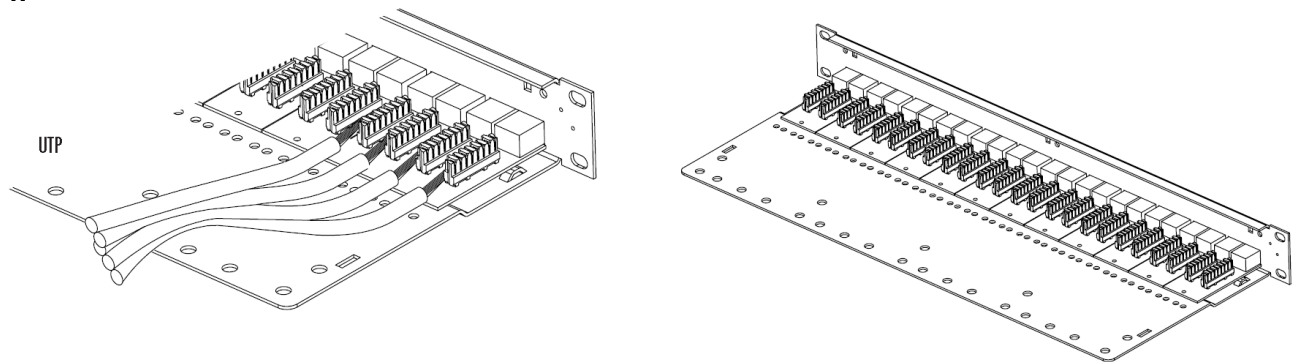
2.



3.



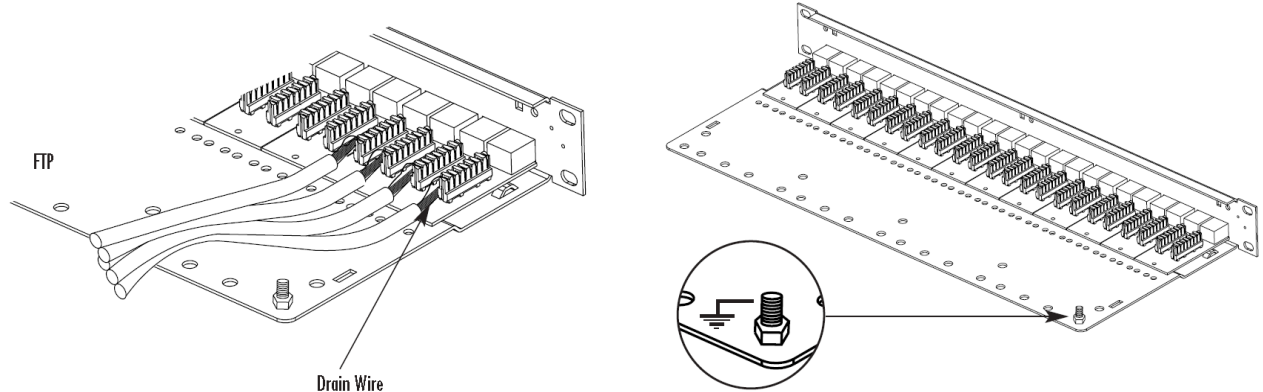
4.



MPN NO.	SAP NO.
315-145	187000387

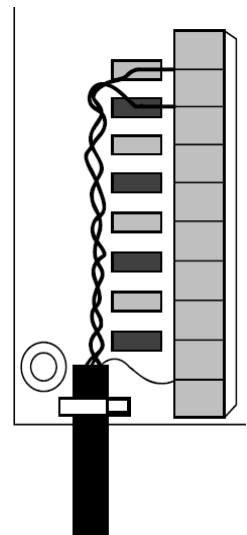
REVISION: A1	ECR/ECN INFORMATION: EC No: MTS2013-0071 DATE: 2013 / 07 / 16	TITLE: INST SHEET 24P C5E PATCH PANELS	SHEET No. 2 of 3
DOCUMENT NUMBER: AS-18700-076	CREATED / REVISED BY: Snagaravenka	CHECKED BY: CG, Raghavan	APPROVED BY: Ojdana, Krzysztof

5.



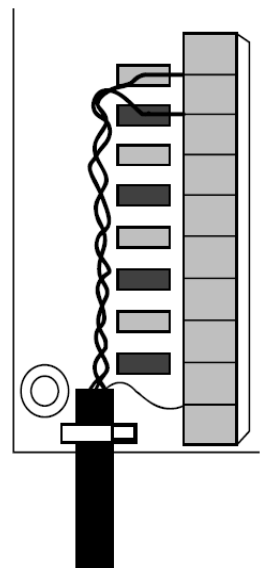
568A

F	D	E	NL	GB	Jack Pin
blanc/bleu	weiß/blau	blanco/azul	wit/blauw	white/blue	5--
bleu	blau	azul	brau	blue	4--
blanc/vert	weiß/grun	blanco/verde	wit/groen	white/green	1--
vert	grun	verde	groen	green	2--
blanc/orange	orange/weiß	blanco/naranje	wit/oranje	white/orange	3--
orange	orange	naranje	oranje	orange	6--
blanc/marron	weiß/braun	blanco/marron	wit/bruin	white/brown	7--
marron	braun	marron	bruin	brown	8--
*	*	*	*	drain wire	Shield



568B

F	D	E	NL	GB	Jack Pin
blanc/bleu	weiß/blau	blanco/azul	wit/blauw	white/blue	5--
bleu	blau	azul	brauw	blue	4--
blanc/orange	weiß/orange	blanco/naranje	wit/oranje	white/orange	1--
orange	orange	naranje	oranje	orange	2--
blanc/vert	weiß/grun	blanco/verde	wit/groen	white/green	3--
vert	grun	verde	groen	green	6--
blanc/marron	weiß/braun	blanco/marron	wit/bruin	white/brown	7--
marron	braun	marron	bruin	brown	8--
*	*	*	*	drain wire	Shield



MPN NO.	SAP NO.
315-145	187000387

REVISION: A1	ECR/ECN INFORMATION: EC No: MTS2013-0071 DATE: 2013 / 07 / 16	TITLE: INST SHEET 24P C5E PATCH PANELS	SHEET No. 3 of 3
DOCUMENT NUMBER: AS-18700-076	CREATED / REVISED BY: Snagaravenka	CHECKED BY: CG, Raghavan	APPROVED BY: Ojdana, Krzysztof