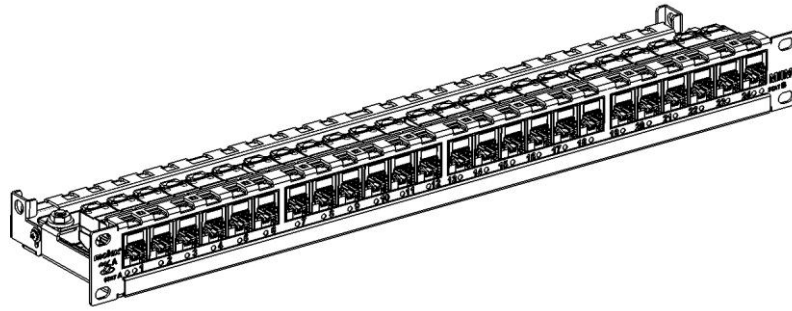


MIIM Category 6A Shielded Patch Panel



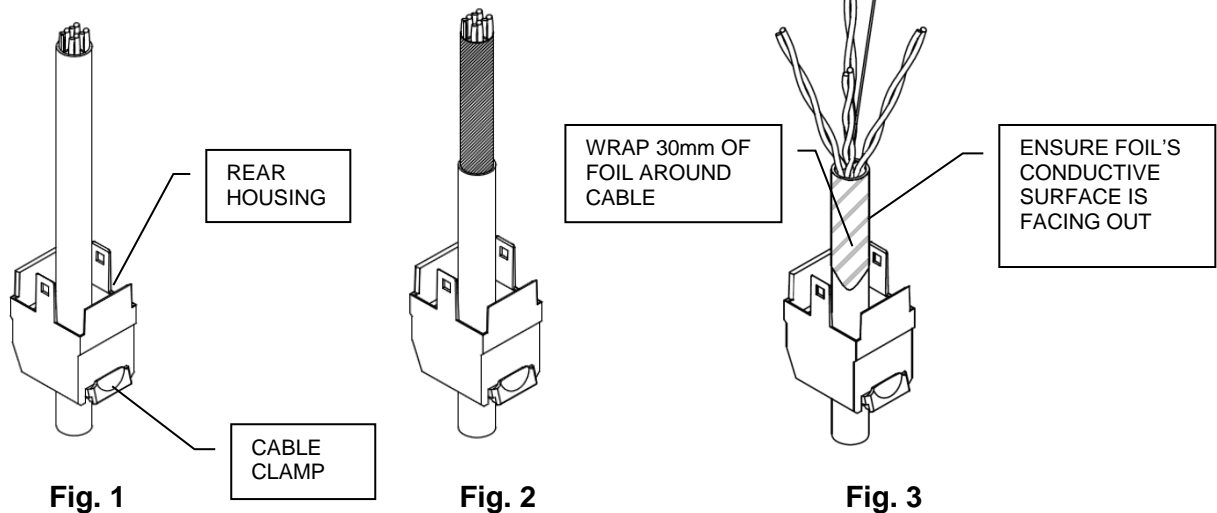
1.0 SCOPE

This document provides installation instructions for the Molex PID-00266 MIIM C6A Shielded Patch Panel.

2.0 PROCEDURE

Tools required:

- 110 punch down tool or multi-pair termination tool, cable strippers, wire clippers, and screwdriver



U/FTP cable preparation:

1. Ensure rear housing cable clamp is open (shown in figure 1-3).
2. Slide rear housing on to cable (see Fig. 1).
3. Remove 75mm (3") of cable sheath with cable stripper (see Fig. 2).
4. Unwrap and remove 3 of the twisted pair's foils with wire clippers.
5. Wrap approximately 30mm (1.2") of 4th foil down length of cable sheath (see Fig. 3).
 - Ensure cable foil's conductive surface is facing out

F/UTP cable preparation:

1. Ensure rear housing cable clamp is open (shown in figure 1-3).
2. Slide rear housing on to cable (see Fig. 1).
3. Remove 75mm (3") of cable sheath with cable stripper (see Fig. 2).
4. Unwrap overall foil from cable.
5. Remove cable cellophane wrap and center section with wire clippers.
6. Wrap approximately 30mm (1.2") of foil down length of cable sheath (see Fig. 3).
 - Ensure cable foil's conductive surface is facing out

MIIM Category 6A Shielded Patch Panel

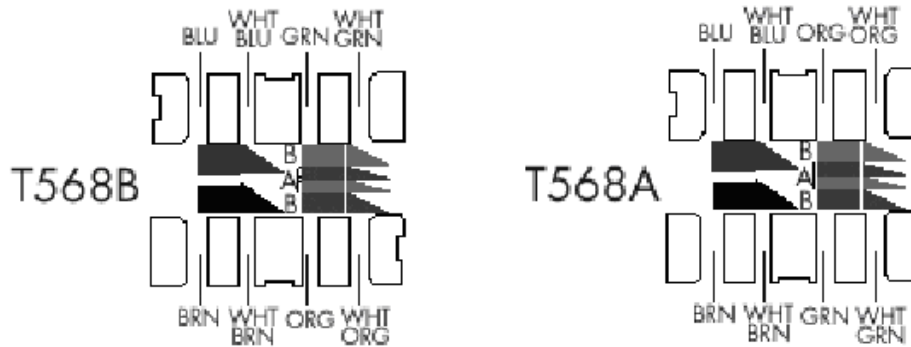


Fig. 4

Cable termination to jack:

Caution: Take care when handling the jack to not bend or damage the contacts on the bottom of the jack.

1. Refer to wiring map (see Fig. 4).
2. Untwist cable pairs and punch down wires to corresponding IDT contacts with punch down tool.
3. Ensure wires are trimmed flush to IDT towers.
4. Ensure cable sheath is maintained as close as possible to the IDT towers on the jack.

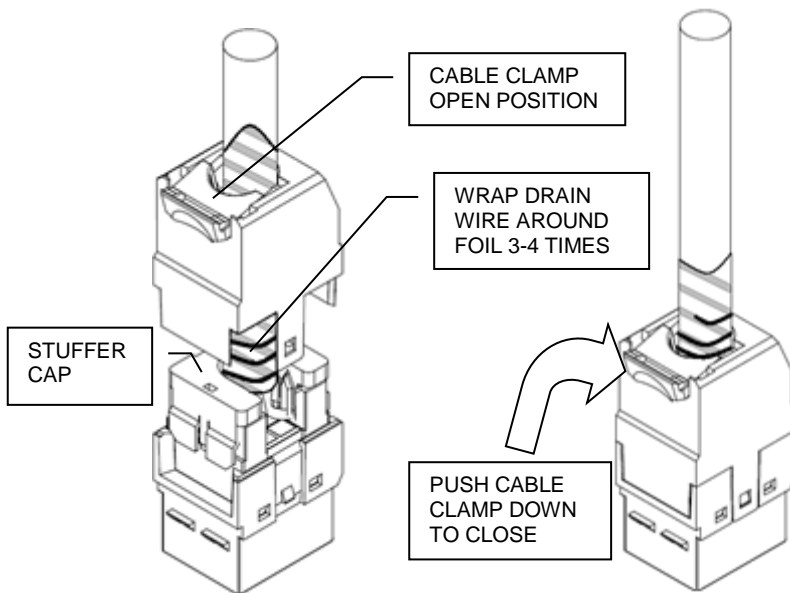


Fig. 5

Fig. 6

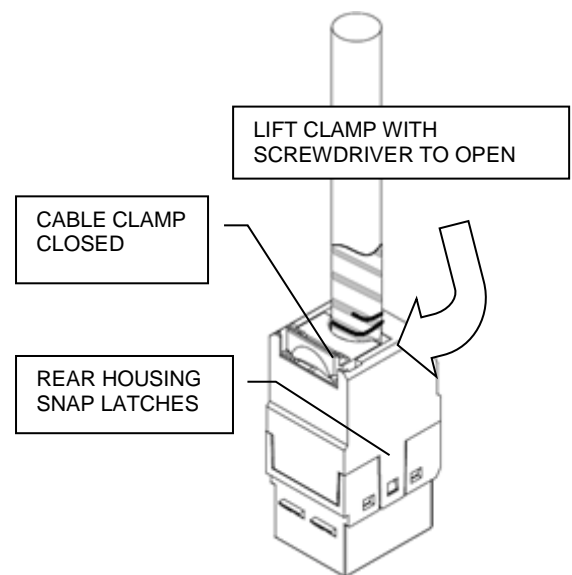


Fig. 7

Fit rear housing to jack:

1. Fit cable strain relief stuffer cap to IDT towers (see Fig. 5).
2. Wrap drain wire around cable foil 3 - 4 times (see Fig. 5).
3. Snap rear housing to jack (see Fig. 6).
4. Push clamp down to close clamp (see Fig. 6).
 - Ensure cable clamp clamps down on wrapped drain wire
 - Trim excess foil with clippers

Remove rear housing from jack:

1. Lift cable clamp with screwdriver (see Fig. 7).
2. Lift rear housing snap latches with screwdriver (see Fig. 7).
 - Pull rear housing away from jack.

MIIM Category 6A Shielded Patch Panel

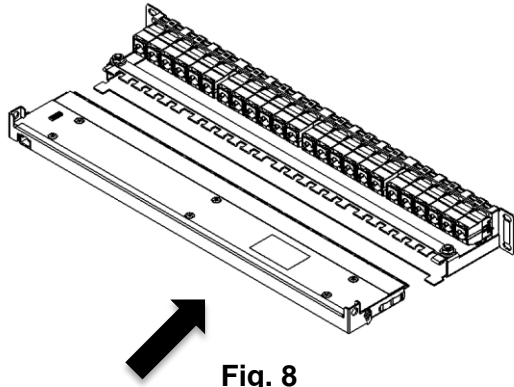


Fig. 8

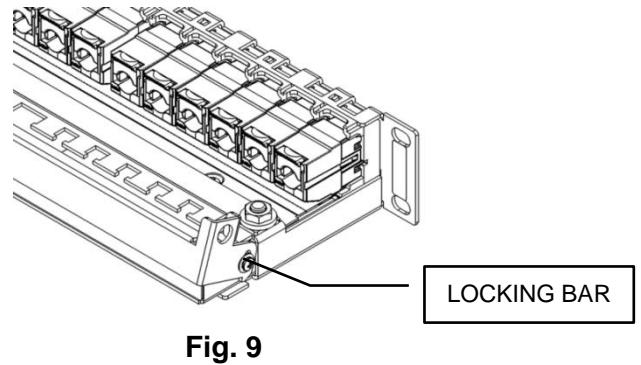


Fig. 9

Install E-module in patch panel: Note the E-module is installed in the factory.

Install E-module in the slot below the contacts on the bezel (see Fig. 8). Rotate locking bar up and insert E-module until contacts on the E-module are no longer visible (see Fig.9). Rotate locking bar down to secure E-module. E-module (or MIIM Continuity Boards) are required to maintain continuity on the permanent link. FAILURE TO INSTALL THE E-MODULE WILL RESULT IN OPEN PAIRS.

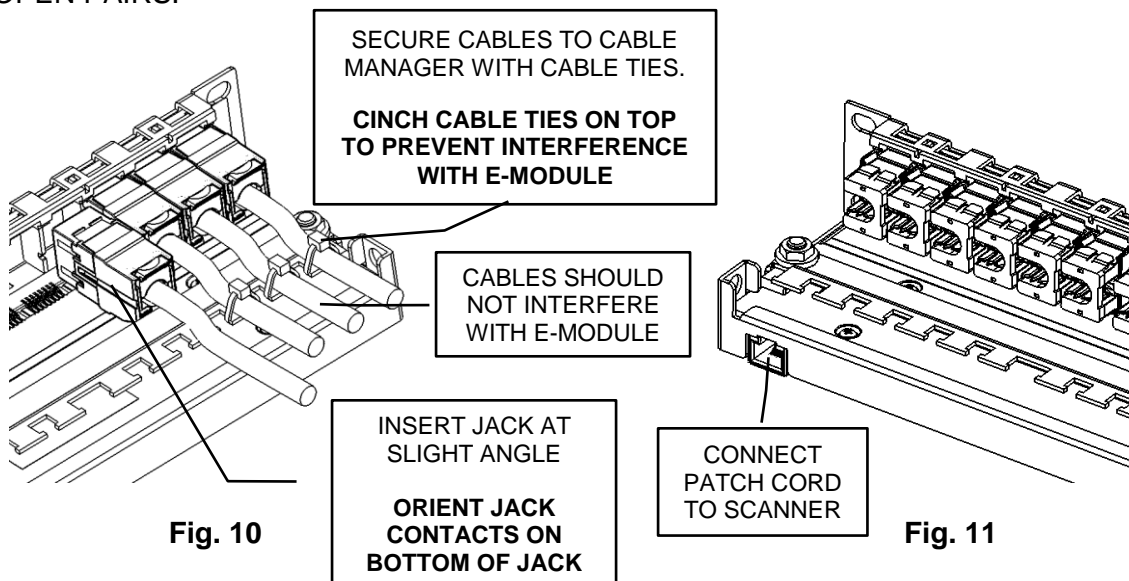


Fig. 10

Fig. 11

Install jack to patch panel:

CAUTION: Contacts on panel are delicate. Be careful when inserting or removing jacks.

1. Remove protective cardboard inserts from the bezels.
2. Orient jack to panel as shown in Fig. 10. Contacts on bottom of jack will mate with the panel bezel.
3. Slide jack into patch panel port opening at slight angle and snap jack into panel by pushing down on top of jack (see Fig. 10).
4. Secure cables to cable tray with cable ties (See Fig.10).
 - Ensure cables are dressed neatly to cable tray
 - Ensure a minimum 30 mm (1.2") of bend radius is maintained
 - Ensure cable ties do not over compress cables
 - Ensure cables and cable ties do not interfere with adding or removing E-modules from the panel

Connect panel to scanner:

Connect MIIM panel to MIIM Scanner with a Category 5e or better patch cord (see Fig. 11). The panel is powered by the scanner and will automatically turn on. Power is indicated by the Stat B LED on the front of the panel.

MIIM Category 6A Shielded Patch Panel

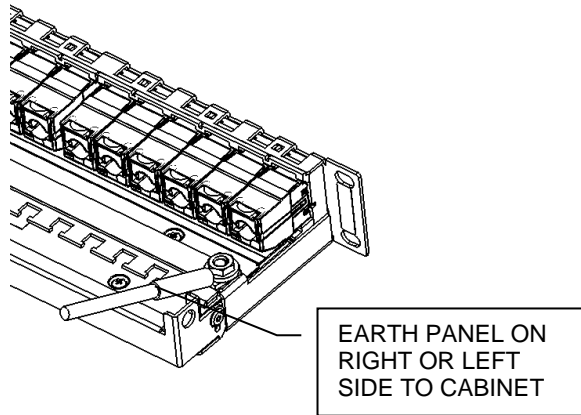


Fig. 12

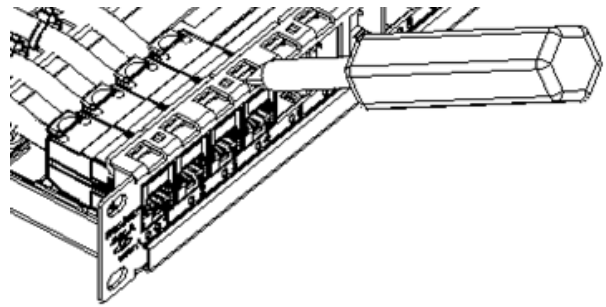


Fig. 13

Grounding / earthing for patch panels:

1. Individually ground (earth) each patch panel to cabinet ground (earth) position by securing grounding lug to panel grounding stud (see Fig. 12).
2. Consult local electrical code for required grounding / earthing wire gauge.

NOTE: Large grounding lugs may interfere with the E-module locking bar.

To remove jacks from panel:

1. Apply pressure to front of jack.
2. Use screwdriver or similar tool to lift the latch above jack and release jack (See Fig. 13).

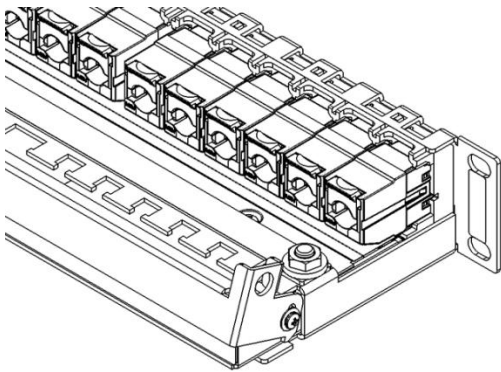


Fig. 14

To remove E-Module from panel:

Note: Removing E-module will cause loss of continuity on all 24 jacks on the panel. Replacement E-module or MIIM continuity boards should be available to restore continuity.

1. Lift locking bar up and rotate locking bar toward the front of the panel to disengage the E-module from the panel (see Fig. 14).
2. Remove E-module.
3. Install replacement E-module or MIIM continuity boards.