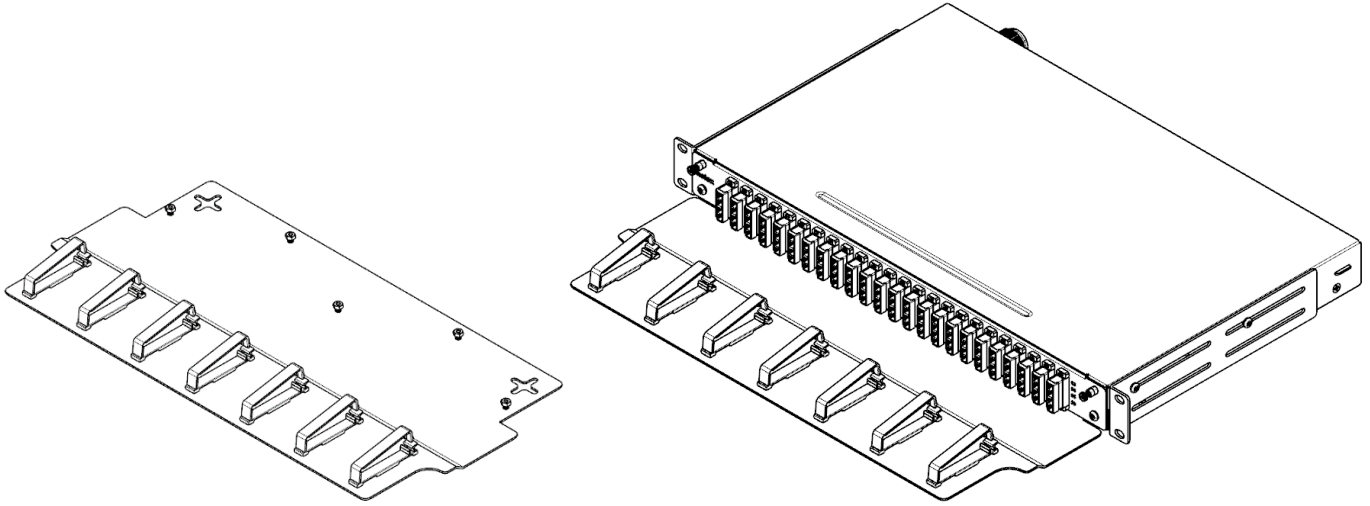


MFE CABLE MANAGER INSTALLATION INSTRUCTIONS



1.0 SCOPE

This instruction sheet covers methods required to move, adjust and operate the Cable Manager with the Multi-Function Fiber Enclosure.

2.0 PRODUCT DESCRIPTION

The Front Cable Management Extension provides additional cable management capability to the Multi-Function Enclosure.

3.0 PREPARATION:

- Before beginning assembly of the product, make sure all parts are present. If any parts are missing or damaged, do not attempt to assemble the product.
- Make sure the product and accessory parts listed below are present, and not damaged.

CHART FOR ACCESSORIES:

<u>DESCRIPTION</u>	<u>QTY</u>
SCREW M4X8 CSK POZI BZP	5
HEX NUT M4x3mm SS A2	5
WASHER FLAT M4X0.5 STEEL BZP	2

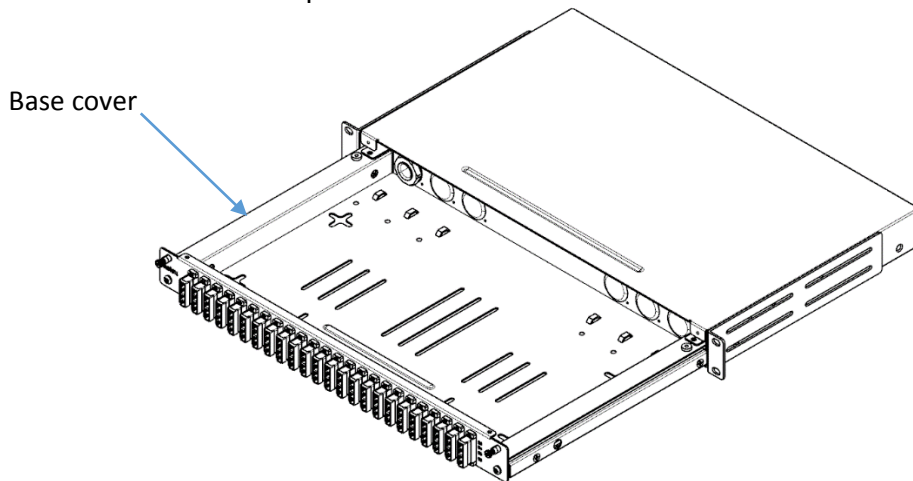
EC/ECM NO: 176404	SAP NO : 187000518	Doc No: 187000518 Doc part: AS	REV- A
SAP EC NO: 10896952	http://www.molexces.com/		DATE: 2018/JUN/25

4.0 PROCEDURE

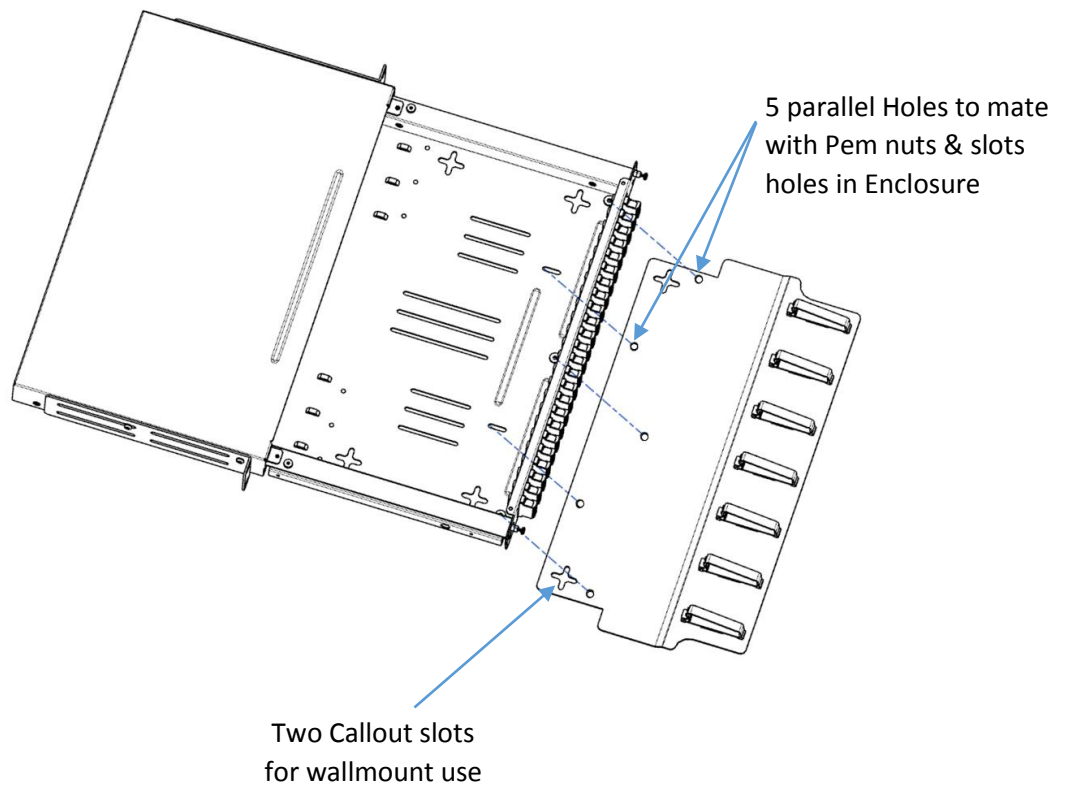
ASSEMBLY OF THE CABLE MANAGER:

Installation of the Cable Manager and Enclosure.

- Make sure that the Enclosure is fully assembled with its components. Please refer to the enclosure installation instruction sheet for its complete assembly procedure.
- Slide drawer (base cover) out of the enclosure to its point of full extension, as shown in Fig 1.
- On the base of the Cable Manager are 5 holes to match 3 pem nuts and 2 slots of enclosure. On the base of the enclosure, 3 pem nuts and 2 slots are available to mount the Cable Manager. In both parts, 2 callout slots are available for wall mounting applications shown in Fig 2.
- Choose a suitable mounting position for both parts and align all the mating positions mentioned in above points.

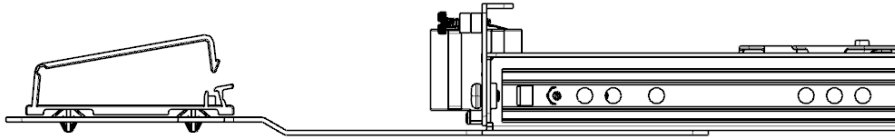


(Fig. 1)



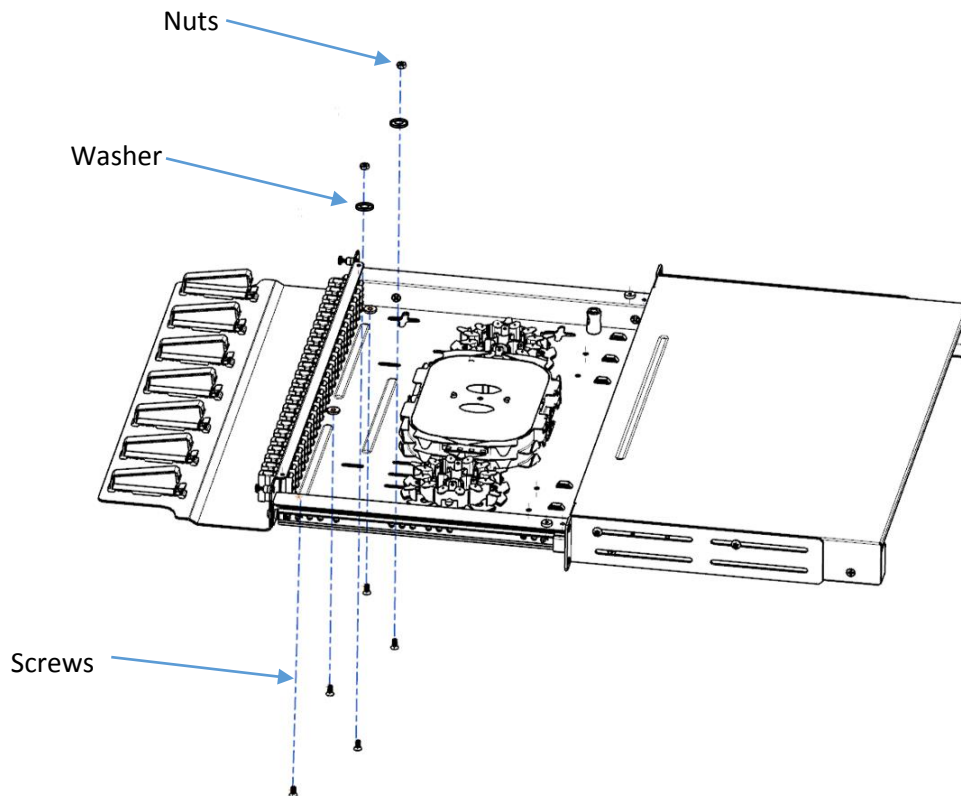
(Fig. 2)

- Align the Cable Manager holes positions to match enclosure holes, and the surfaces to mate parallel as shown in Fig 3.



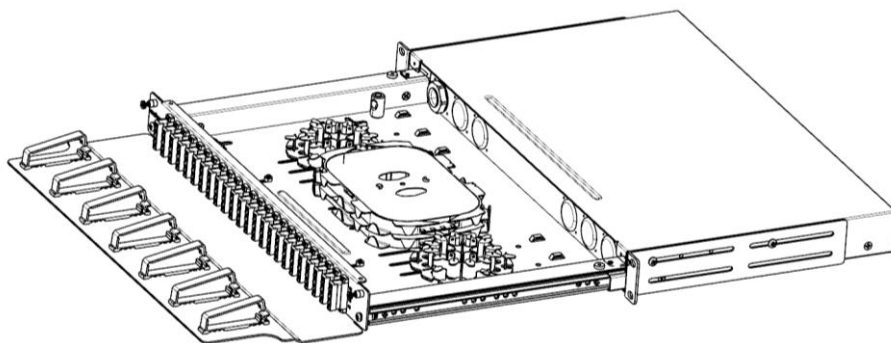
(Fig.3)

- Fix the screw from the bottom of the Cable Manager base to top of pem nuts on enclosure base. Use the appropriate tool so that both parts fit over with the screw, and fully tightened.
- Place the nuts along with washer over the screw from enclosure base as shown in Fig 4. Use the appropriate tool, and tighten the nuts.



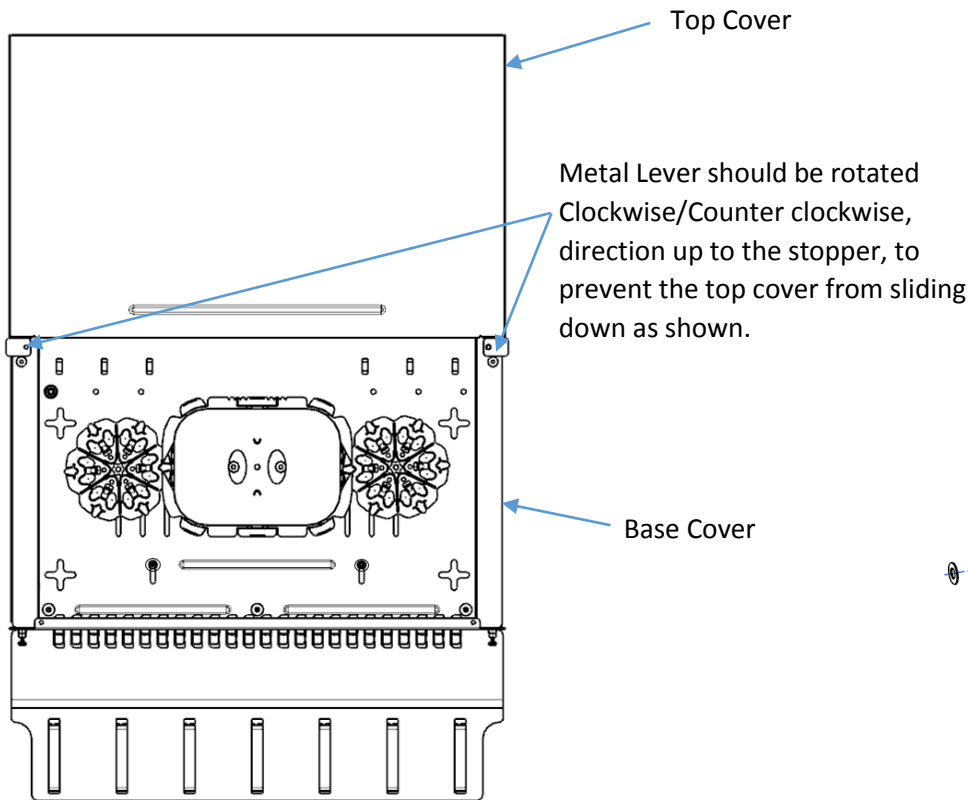
(Fig.4)

- Once the Cable Manager is assembled to enclosure, the final product is ready for better cable management.

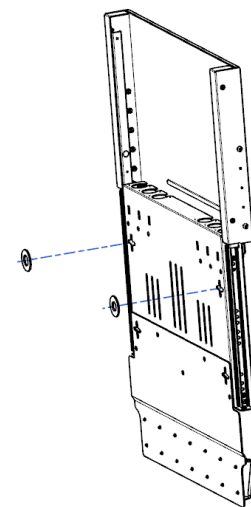


(Fig.5)

- Use the available riveted metal levers (with free rotational movement) rotating 90 degrees (Clockwise /Counter clockwise) direction to stop/secure the enclosure top cover, as shown in Fig.6, when enclosure base is wall mounted (Fig. 6), to work on fiber routing, termination and any other installation work, and bring back the lever to original position by slightly lifting the enclosure top cover up.



(Fig.6)



(Fig.7)

Use 2mm thick washers M10X20mm (not provided) at the base, as shown in Fig.7, when the Cable Manager is mounted to the wall along with enclosure, for better flatness at base.

WARNING: Dust caps should be left intact on all adapters not in use. Never look into an open adapter as laser light may be present and is invisible. Serious eye damage is possible.