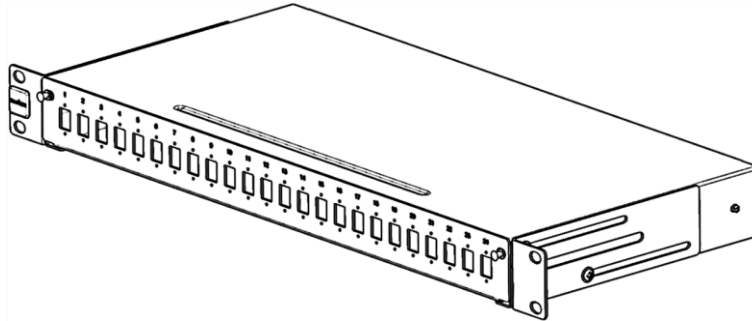


### UTILITY FIBER OPTIC ENCLOSURE 24 PORT (48F) Duplex LC (DLC) UNLOADED

**WARNING:** Improper use of this product or failure to follow these instructions may result in equipment damage and personal injury. Read and understand all instructions for proper installation and use of this product.



#### 1.0 Scope:

This document describes the installation instructions for the UTILITY Fiber Optic Enclosure DLC.

#### 2.0 Product Description

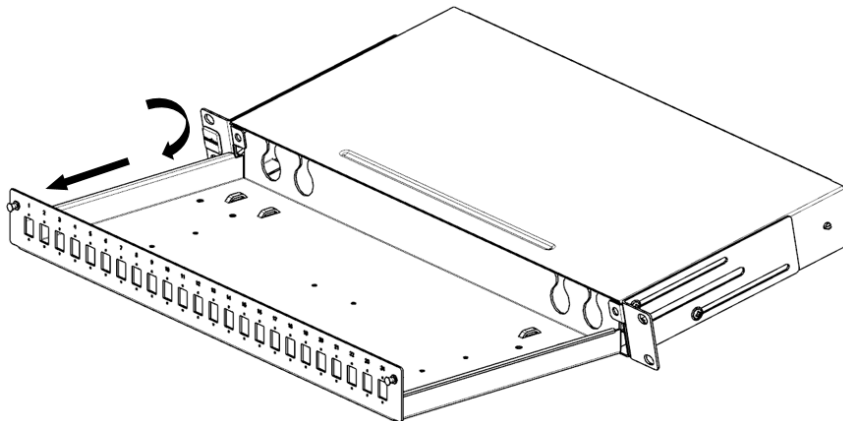
The UTILITY Fiber Optic enclosure provides a protected steel housing for the correct accommodation of up to forty-eight optical Fiber cores spliced to optical Fiber LC pigtailed connected to up to twenty-four duplex LC adapters. The product can alternatively accommodate up to 48 Fiber pre-terminated Fiber harness assemblies connected to up to twenty-four DLC adapters. The product is supplied without DLC adapters and comprises of a sliding tray chassis, a protective cover and panel mounting brackets which are adjustable for a variety of 19-inch data cabinet/rack depth mount requirements. The product is suitable for internal data installations only.

#### Accessories supplied.

| DESCRIPTION                       | QTY |
|-----------------------------------|-----|
| CABLE MANAGEMENT HUB              | 1   |
| CABLE MANAGEMENT HUB ADHESIVE PAD | 1   |
| SPLICE HOLDER 24 WAY KIT BLACK    | 1   |
| KEVLAR RETENTION POST             | 1   |
| CABLE GLAND 9.5-13.2MM-M20        | 1   |
| GLOBAL HARDWARE KIT               | 1   |
| LABEL LASER 1000/RL               | 1   |
| BLANKING GROMMET 20MM-BLK         | 2   |
| OPEN GROMMET 20MM BLK             | 1   |

#### 3.0 Procedures

**3.1** Separate the enclosure base from the cover as shown in Fig 1.



**Fig 1.**

|   |                    |                   |              |        |
|---|--------------------|-------------------|--------------|--------|
| ENGINEERING RECORD<br>NO : 655429                       | SAP NO : 187000552 | Doc No: 187000552 | Doc part: AS | REV- A |
| <a href="http://www.molex.com">http://www.molex.com</a> |                    |                   |              |        |

### 3.2 Installing cable gland into base tray.

- Fit cable glands and grommets as required in the holes provided.

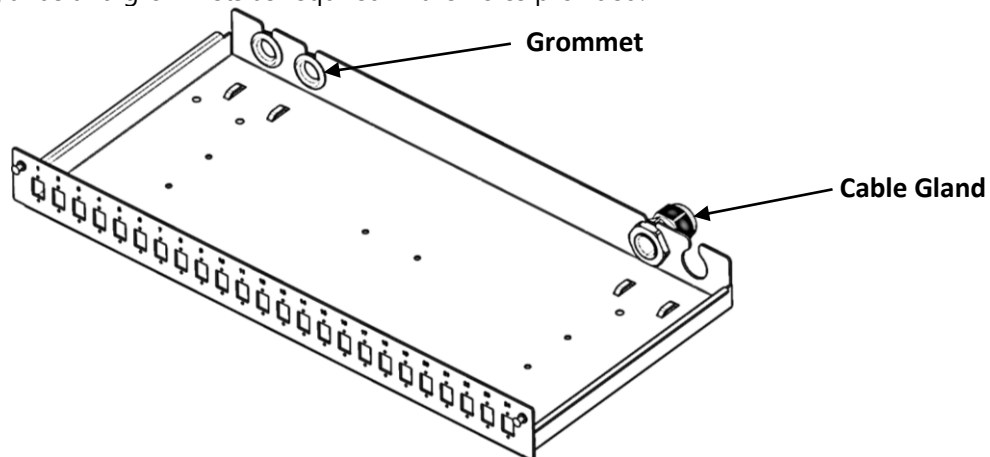


Fig.2

### 3.3 Installation of Splice holder and cable management hub.

The adhesive base splice holder and cable management hub allow for flexible positioning on to the enclosure base. Screw the Kevlar retention post into the positions as shown in Fig 3.

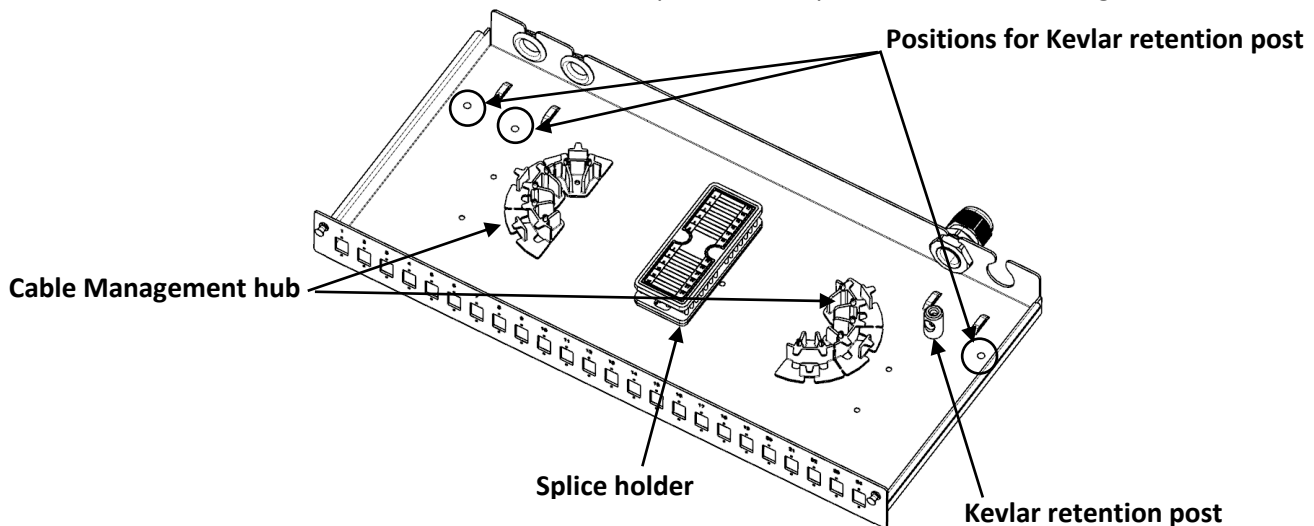


Fig.3

### 3.4 Fix the Duplex LC adapters (DLC) to the adapter plate with screws as shown in Fig 4.

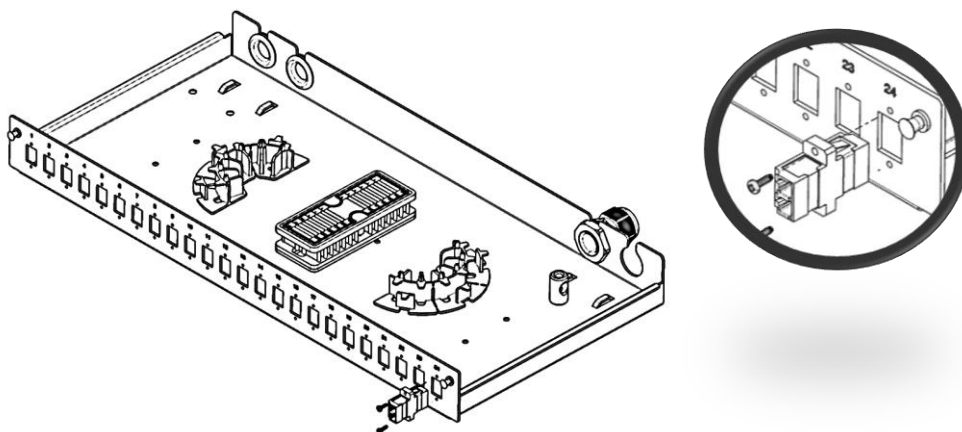
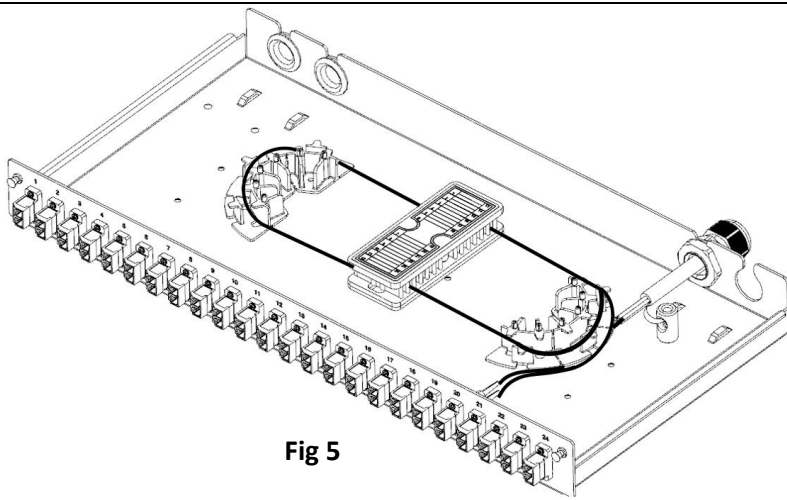


Fig 4

### 3.5 Cable Routing.

- Adequate slack must be included allowed outside the enclosure to pull out the sliding drawer.
- Full extension of the drawer is 150mm
- Molex recommends a minimum of 0.5 meter of slack to be stored inside the enclosure for tight buffered and loose tube cables.
- Provide a minimum of 120-140mm of slack between the cable entry point and management spools.



**CAUTION:** Molex recommends wearing safety glasses when cutting Fiber optic cable.

Fig 5

**3.6 Inserting the Base into Cover:**

Tilt the Enclosure base and inset into top cover, then push base into cover as shown in Fig. 6.

**Note:** Care must be taken not to damage the cable when inserting the Base into the cover.

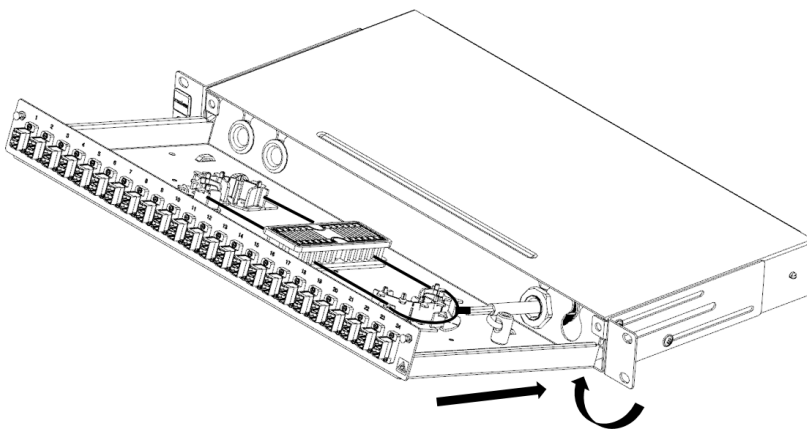
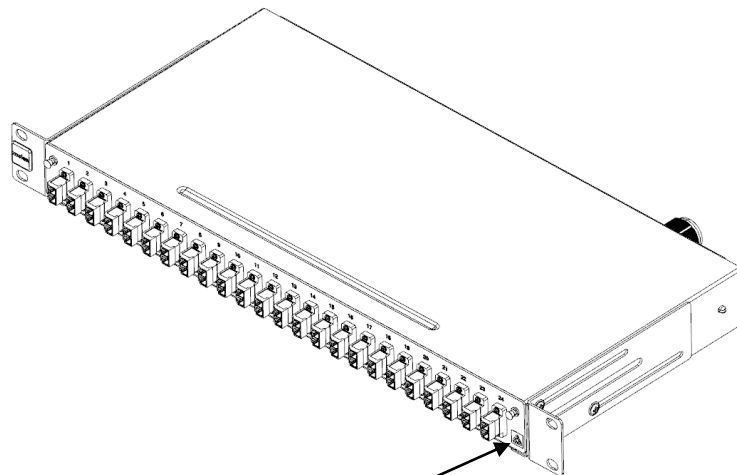


Fig. 6

**3.7 Place the Laser hazard warning label at front on Enclosure base as shown in Fig. 7**



Laser hazard warning label

Fig. 7

**WARNING:**

1. Dust caps should be left intact on all adapters when not in use. Never look into an open adapter, as laser light may be present and is invisible. Serious eye damage is possible.