

ISDN PANEL

1.0 SCOPE

This document provides instructions of ISDN PANEL

2.0 PRODUCT DESCRIPTION

This is ISDN Panel

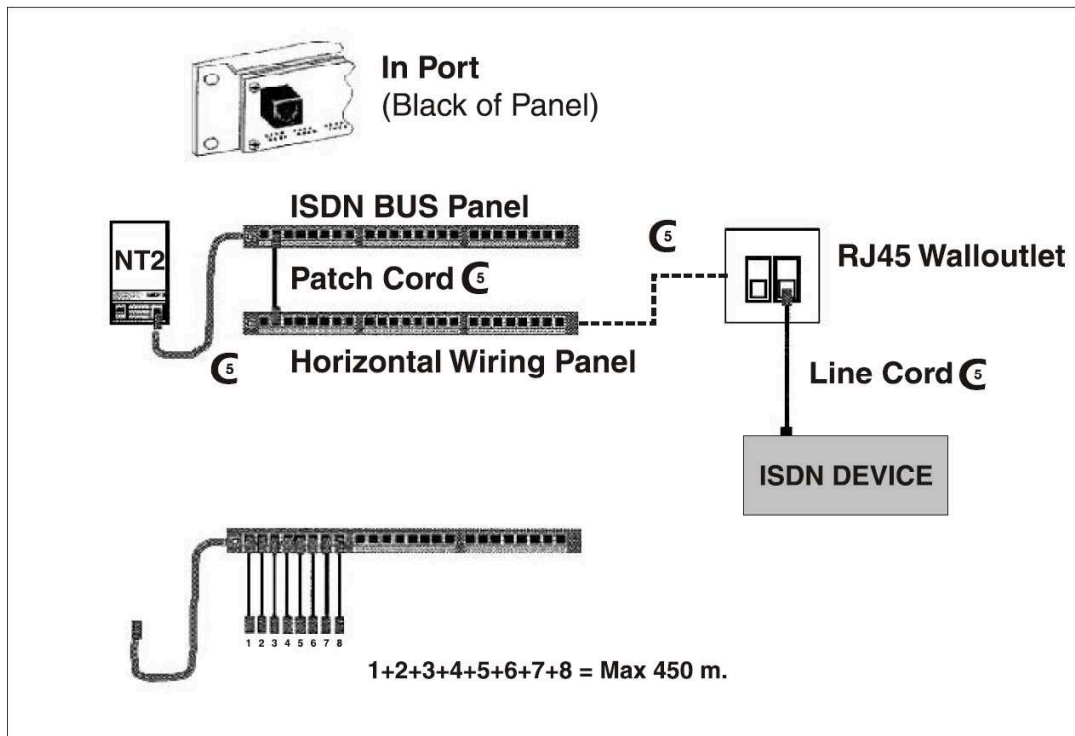
3.0 REFERENCE DOCUMENTS

4.0 PROCEDURE

4.1 GENERAL REQUIREMENTS

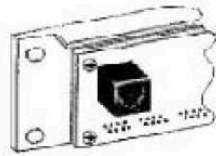
4.2 ASSEMBLY INSTRUCTIONS

4.3 REMOVAL INSTRUCTIONS

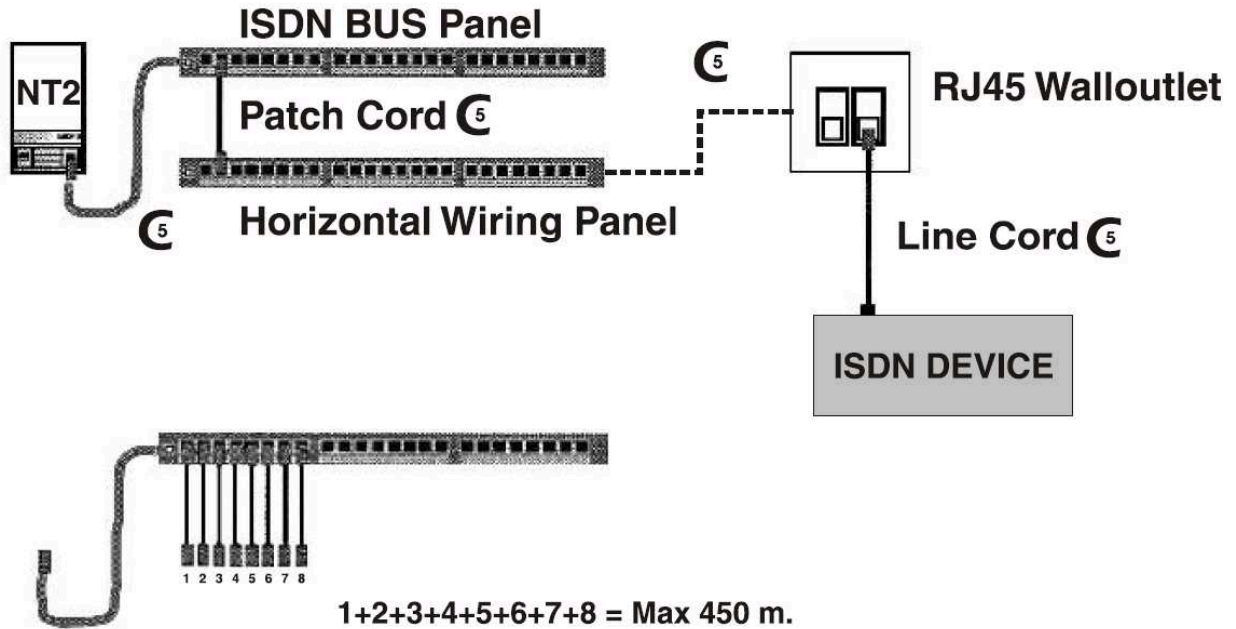


MPN NO.	SAP NO.
315-159	187000394

REVISION: A	ECR/ECN INFORMATION: EC No: MTS2013-071 DATE: 2013 / 07 / 16	TITLE: INSTRUCTION SHEET ISDN PANEL	SHEET No. 1 of 2
DOCUMENT NUMBER: AS-18700-088	CREATED / REVISED BY: SNAGARAVENKA	CHECKED BY: BJ MAHENDRA	APPROVED BY: DURAN, JIM



In Port
(Black of Panel)



MPN NO.	SAP NO.
315-159	187000394

REVISION: A	ECR/ECN INFORMATION: EC No: MTS2013-071 DATE: 2013 / 07 / 16	TITLE: INSTRUCTION SHEET ISDN PANEL	SHEET No. 2 of 2
DOCUMENT NUMBER: AS-18700-088	CREATED / REVISED BY: SNAGRAVENKA	CHECKED BY: BJ MAHENDRA	APPROVED BY: DURAN, JIM